



# CONTEG DATA SHEET

version: 24-09-2010

CABLE MANAGEMENT

## HIGH DENSITY WIRE MANAGEMENT

**CONTEG, spol. s r.o.**

Headquarters Czech Republic:  
Na Vítězné pláni 1719/4  
140 00 Prague 4

Tel.: +420 261 219 182  
Fax: +420 261 219 192

[conteg@conteg.com](mailto:conteg@conteg.com)  
[www.conteg.com](http://www.conteg.com)

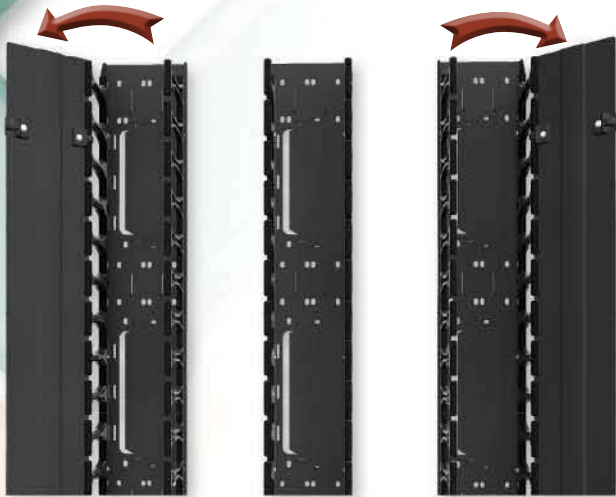
**Local Offices:**

Austria:	+43 699 1819 7071
Benelux:	+32 477 957 126
Eastern Europe:	+49 172 848 4346
France:	+33 686 074 386
Germany:	+49 170 523 4958
Russia:	+7 495 506 1328



Cable management can have a serious impact on the reliability of your data transmissions. Poorly managed cables can adversely affect network throughput whilst poorly arranged patch cords can make cabling moves, add-ons and changes difficult to achieve. High Density Wire Managers will help to improve network performance and reliability by reducing the risk of attenuation due to fiber micro bends. Its capacity allows for a large number of patch cables without exceeding TIA/EIA/ISO recommended fill factor. Due to its clever design, backbone as well as patch cables will be well organized in accordance with industry standards and major cable manufacturer recommendations so any cabling needs will be met.

high density wire management



**DESCRIPTION**

**Front/rear design**

- Dual pathway for managing cables within the same HDWM
- Horizontal and vertical orientations, except rack vertical (VMR) which are front only

**Front only design**

- Simple pathway for cables
- Available in horizontal and vertical orientations

**Horizontal orientation**

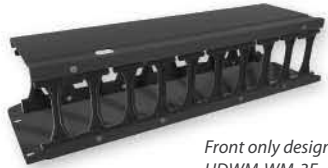
- Horizontal pathway for managing cables among the installed equipment
- Mounting onto the 19" extrusions

**Vertical orientation**

- Vertical pathway for managing cables into and through the rack or frame
- Velcro cable ties for optimum cable bundle management
- Vertical managers can be bolted together (front to back) to customize the HDWM to your requirements

**Cable Troughs**

- Allow the management of cables between vertical rack (VMR) or frame (VMF) HDWM
- Adjustable length



Front only design - HDWM-WM-3F



Front/rear design - HDWM-HM-1FR

**INSTALLATION**

vertical high density wire managers can be installed in any type of standard vertical 19" extrusions

**HDWM-HM-1FR**

front/rear horizontal 1U high density wire manager, applicable in both rack and frame deployments

front/rear horizontal 2 or 3U high density wire manager with brush also available

**HDWM-HM-2F**

front horizontal 2U high density wire manager, applicable in both rack and frame deployments

**HDWM-VMR-ACT**

horizontal adjustable cable troughs to lead the cables between front and rear vertical rack high density wire managers

**HDWM-HM-3F**

front horizontal 3U high density wire manager, applicable in both rack and frame deployments

**HDWM-VMR-42-12/10F**

front vertical high density wire managers, applicable in rack deployment

**HDWM-VMF-47-15/20F**

front vertical high density wire manager, applicable in frame deployments

**HDWM-VMF-47-15/20F**

front vertical high density wire manager, applicable in frame deployments

**HDWM-VMF-ACT**

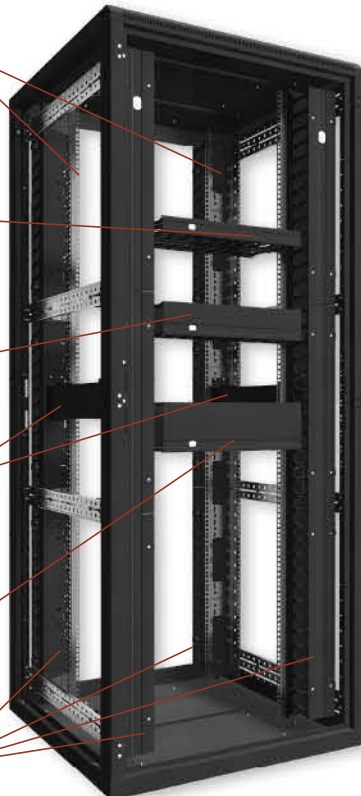
horizontal adjustable cable troughs to lead the cables between front and rear vertical open frame high density wire managers

**HDWM-VMF-47-25/20F (2x)**

front wire managers shown joined to give front & rear cable management, applicable in frame deployments

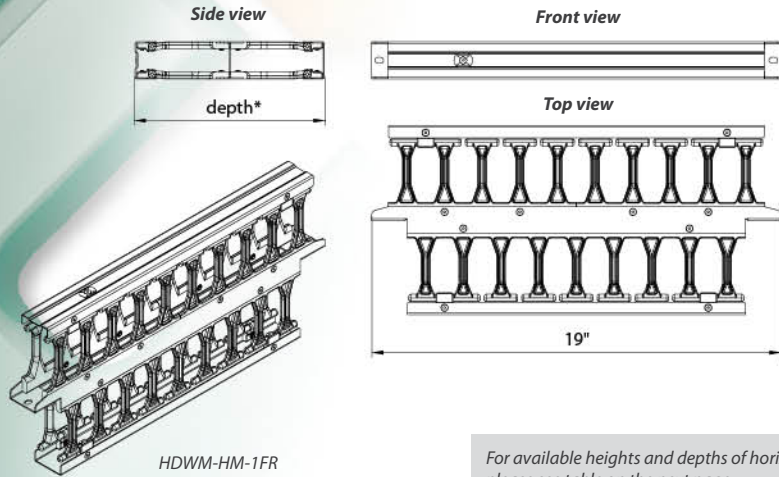
**HDWM-VMF-47-25/30F**

front vertical high density wire manager, applicable in frame deployments





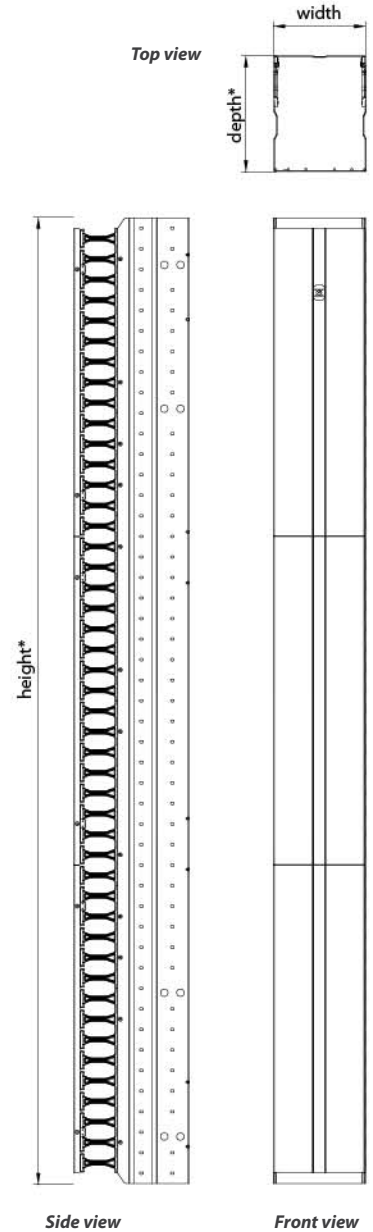
**HORIZONTAL HIGH DENSITY WIRE MANAGERS - FRONT/REAR**



HDWM-HM-1FR

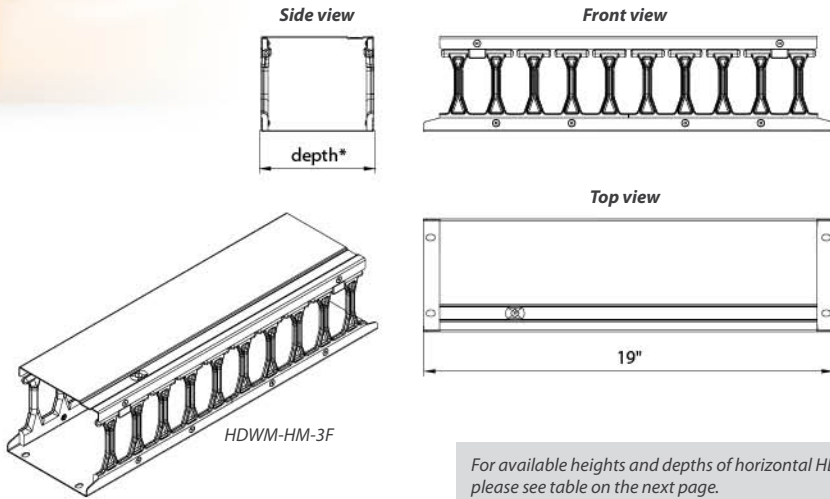
For available heights and depths of horizontal HDWM please see table on the next page.

**VERTICAL HIGH DENSITY WIRE MANAGERS - OPEN FRAME INSTALLATION**



HDWM-VMF-47-25x20F

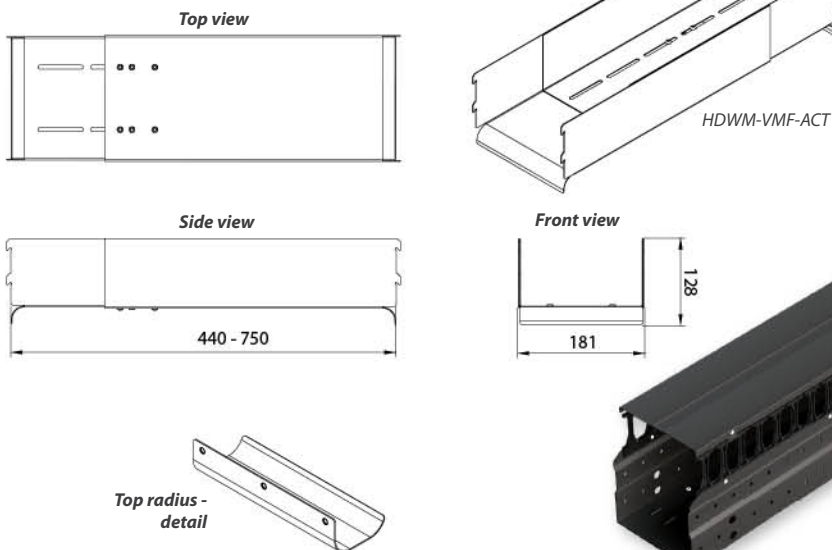
**HORIZONTAL HIGH DENSITY WIRE MANAGERS - FRONT ONLY**



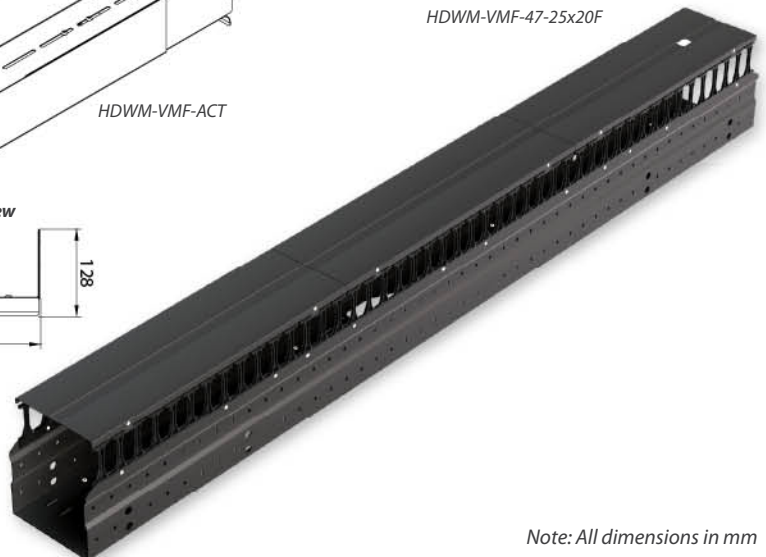
HDWM-HM-3F

For available heights and depths of horizontal HDWM please see table on the next page.

**ADJUSTABLE CABLE TROUGH FOR VERTICAL HDWM - FRAME INSTALLATION**



HDWM-VMF-ACT



Note: All dimensions in mm

high density wire management



**HORIZONTAL HIGH DENSITY WIRE MANAGERS**

Code	Installation	Type	No. of fingers		Dimensions		
			Front	Rear	H in U	W	D in mm
HDWM-HM-1F	Open frame/rack	Front	10	x	1	19"	112
HDWM-HM-1FR	Open frame/rack	Front/rear	10	9	1	19"	223
HDWM-HM-2F	Open frame/rack	Front	10	x	2	19"	112
HDWM-HM-2FR	Open frame/rack	Front/rear	10	9	2	19"	223
HDWM-HM-2FRB	Open frame/rack	Front/rear, brush	10	9	2	19"	223
HDWM-HM-3F	Open frame/rack	Front	10	x	3	19"	112
HDWM-HM-3FR	Open frame/rack	Front/rear	10	9	3	19"	223
HDWM-HM-3FRB	Open frame/rack	Front/rear, brush	10	9	3	19"	223

Standard equipment: manager, installation instructions, 4 mounting kits

**VERTICAL HIGH DENSITY WIRE MANAGERS**

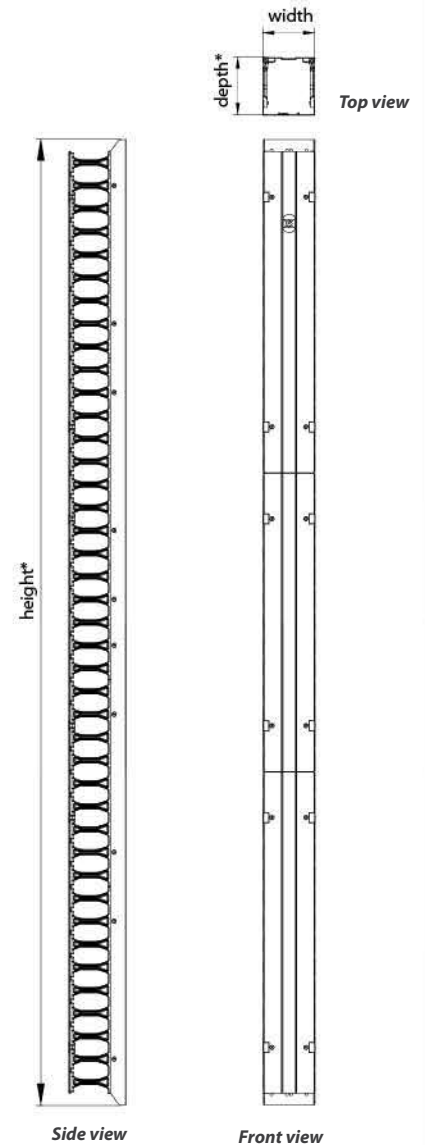
Code	Installation	Type	No. of fingers		Dimensions		
			Front	Rear	H in U	W in mm	D in mm
HDWM-VMR-42-12/10F	Rack	Front	41	x	42	100	126
HDWM-VMR-45-12/10F	Rack	Front	44	x	45	100	126
HDWM-VMF-42-15/20F	Open frame	Front <sup>1</sup>	41	x	42	151	200
HDWM-VMF-45-15/20F	Open frame	Front <sup>1</sup>	44	x	45	151	200
HDWM-VMF-47-15/20F	Open frame	Front <sup>1</sup>	46	x	47	151	200
HDWM-VMF-42-25/20F	Open frame	Front <sup>1</sup>	41	x	42	251	200
HDWM-VMF-45-25/20F	Open frame	Front <sup>1</sup>	44	x	45	251	200
HDWM-VMF-47-25/20F	Open frame	Front <sup>1</sup>	46	x	47	251	200
HDWM-VMF-42-25/30F	Open frame	Front <sup>1</sup>	42	x	41	251	300
HDWM-VMF-45-25/30F	Open frame	Front <sup>1</sup>	44	x	45	251	300
HDWM-VMF-47-25/30F	Open frame	Front <sup>1</sup>	46	x	47	251	300

Standard equipment: manager including blanking panels, installation instructions, mounting hardware, 10 velcro ties  
<sup>1</sup> For front/rear design simply order respective front managers and install them easily together on the installation site by using enclosed hardware which is delivered in each box as standard

**ACCESSORIES FOR HIGH DENSITY WIRE MANAGERS**

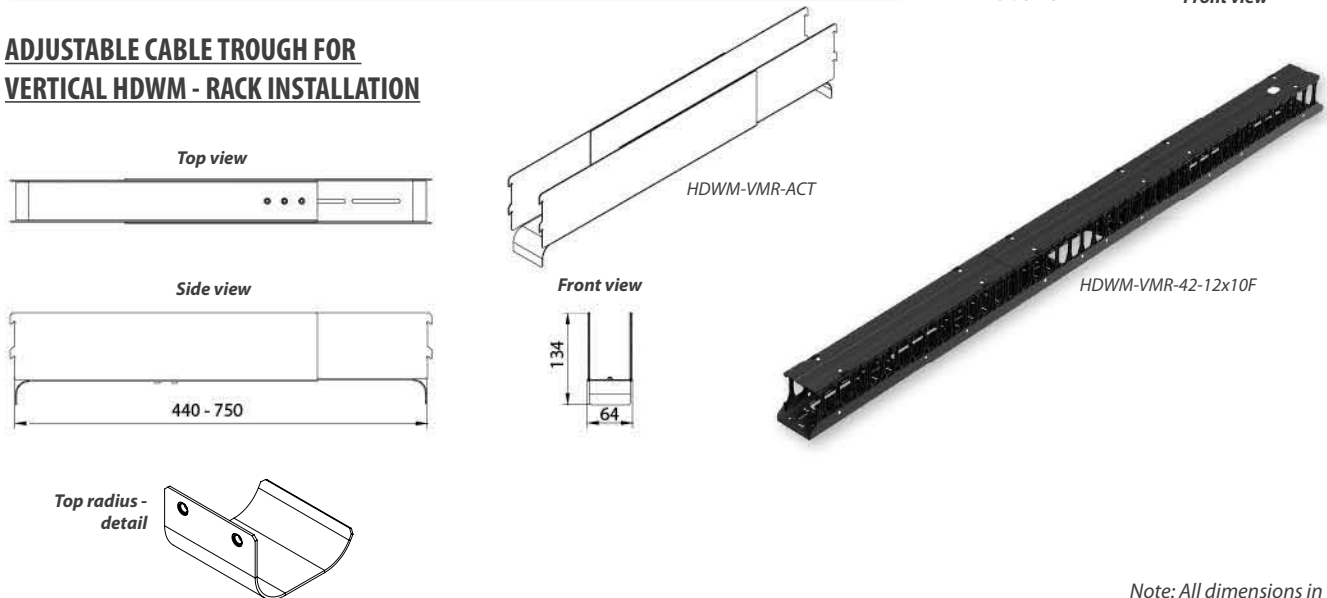
Code	Description
HDWM-VMR-19	Bracket for attachment of HDWM-VMR-xx-xx/xxF to 19" profiles (not required for ROF/RHF/RDF/RSF)
HDWM-VMR-ACT	Adjustable cable trough to manage cables between front and rear mounted vertical High Density Rack Wire Managers
HDWM-VMF-ACT	Adjustable cable trough to manage cables between front and rear mounted vertical High Density Frame Wire Managers
HDWM-VMF-B15	Bracket for attachment of HDWM-VMF-xx-15/xxF to back of open frame (not required for RSG and CPI/Panduit)
HDWM-VMF-B25	Bracket for attachment of HDWM-VMF-xx-25/xxFR to back of open frame (not required for RSG and CPI/Panduit)
HDWM-VMF-BLANK-42	Blank panel kit to close ACT holes for 42U VMF range of wire managers
HDWM-VMF-BLANK-45	Blank panel kit to close ACT holes for 45/47U VMF range of wire managers
HDWM-FSS-50	Fiber Storage Spools, 50mm deep, pair, including mounting hardware
HDWM-FSS-100	Fiber Storage Spools, 100mm deep, pair, including mounting hardware
HDWM-VCT	Velcro Cable Ties, 25mm x 300mm, pack 10, black

**VERTICAL HIGH DENSITY WIRE MANAGERS - RACK INSTALLATION**



high density wire management

**ADJUSTABLE CABLE TROUGH FOR VERTICAL HDWM - RACK INSTALLATION**



Note: All dimensions in mm