



CONTEG DATA SHEET

version: 27-09-2010

ACCESSORIES

19" WALL-MOUNTING HOLDERS

CONTEG, spol. s r.o.

Headquarters Czech Republic:
Na Vítězné pláni 1719/4
140 00 Prague 4

Tel.: +420 261 219 182
Fax: +420 261 219 192
conteg@conteg.com
www.conteg.com

Local Offices:

Austria:	+43 699 1819 7071
Benelux:	+32 477 957 126
Eastern Europe:	+49 172 848 4346
France:	+33 686 074 386
Germany:	+49 170 523 4958
Russia:	+7 495 506 1328



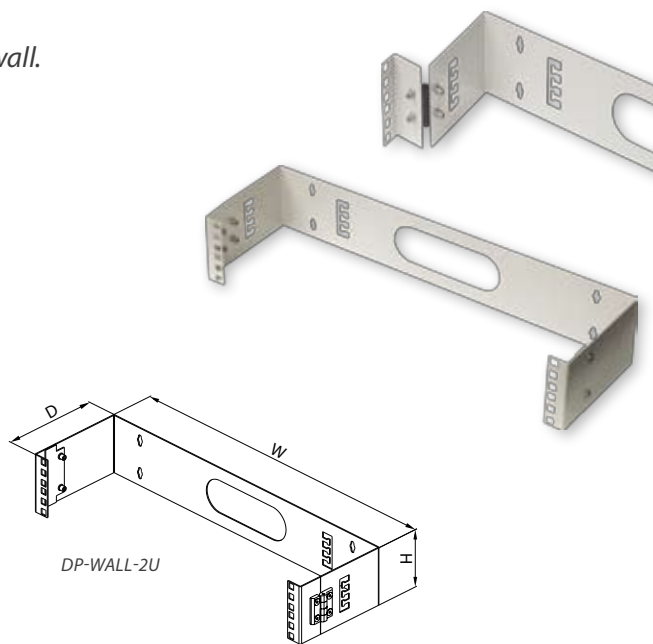
19" WALL-MOUNTING HOLDERS

Used for installation of 19" equipment on the wall.

DESCRIPTION:

- Height 2U and 4U
- Mounting holes for wall installation on the back
- Holder equipped with hinges enabling swinging open of installed equipment from the wall
- Openings for cable entry on the side
- Color powder coated RAL (standard RAL 7035)

19" WALL-MOUNTING HOLDERS			
Code	H	W	Depth in mm
DP-WALL-2U	2U	19"	150
DP-WALL-4U	4U	19"	150



19" wall-mounting holders