



CONTEG DATA SHEET

version: 03-09-2010

OPTIMAL RACK SERIES

RMF SERIES

19" FREE STANDING RACKS

CONTEG, spol. s r.o.

Headquarters Czech Republic:
Na Vítězné pláni 1719/4
140 00 Prague 4

Tel.: +420 261 219 182
Fax: +420 261 219 192
conteg@conteg.com
www.conteg.com

Local Offices:

Austria:	+43 699 1819 7071
Benelux:	+32 477 957 126
Eastern Europe:	+49 172 848 4346
France:	+33 686 074 386
Germany:	+49 170 523 4958
Russia:	+7 495 506 1328



The RMF unassembled rack is designed to cope with the demanding needs of IT equipment within the data center, equipment room and network or telecommunications closet. The RMF's flexible configuration options mean that it's easy to tailor the solution to your exact requirements. Various height, depth and width options, along with load rating of 400kg, air-flow optimization solutions and flexible cable management mean that it has never been simpler to custom configure a cabinet that meets your requirements. The RMF rack is delivered unassembled for easy transportation into the site where it can be quickly and easily constructed.

OPTIMAL

COLOR SAMPLER:



RMF series 19" free standing racks



RMF-42-80/80

DESCRIPTION

Sizes

- Height: 21, 33, 42, and 45U
- Width: 600 and 800mm
- Depth: 600, 800, 1000mm

Construction

- Robust frame construction, connected by 24 (32) M6x12 screws
- Delivered unassembled; assembly at installation site
- Easy and quick assembly
- 1.5 & 2.0mm sheet steel

Load rating

- Standard 400kg

IP rating

- Standard IP30
- Optionally IP54
- IP20 when perforated doors used

Colors

- Standard RAL 7035, RAL 9005 and RAL 7035/7040
- Optionally other colors

Front door

- Door with swivel handle lock and tinted security glass
- Wide range of doors and locks available optionally
- Reversible door - easy re-hanging to open on right or left (at installation site)
- Door opening angle 180°

Rear panel

- Removable rear panel with lock
- Wide range of rear doors available optionally

Side panels

- Removable with locks

Cable entries

- Top, bottom, and rear openings for cable entry covered with removable blank panels

Ventilation unit openings

- Ventilation unit can be installed in top or bottom frame

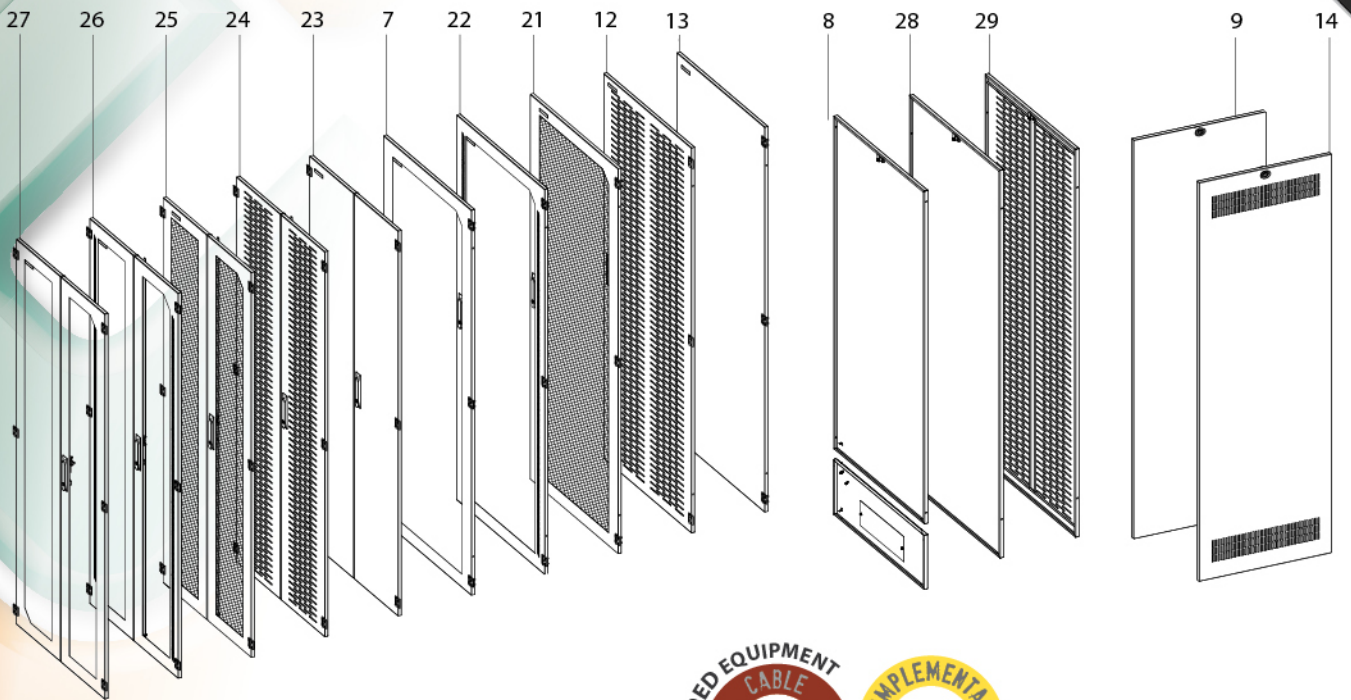
Feet

- Adjustable feet as standard;
- Castors, Lockable Castors, Plinth or Plinth with filter optionally

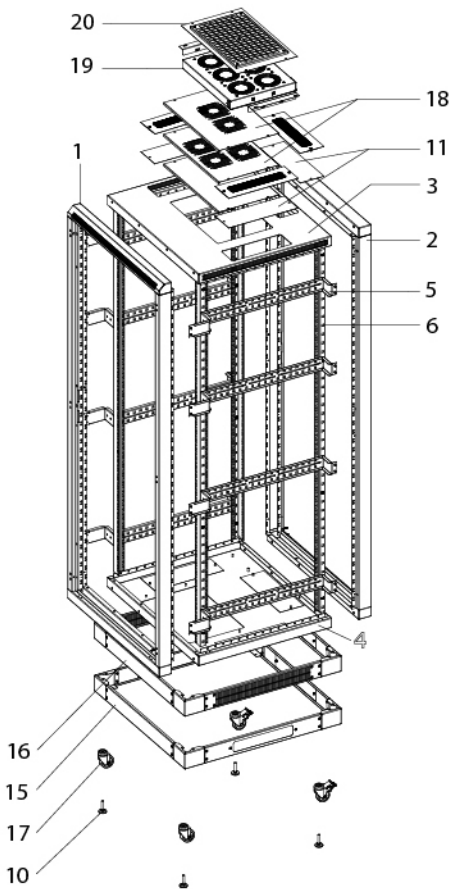
Other

- Racks can be installed in blocks by using DP-DR-7 (ordered separately)
- GND/earthing kit included





RMF series 19" free standing racks



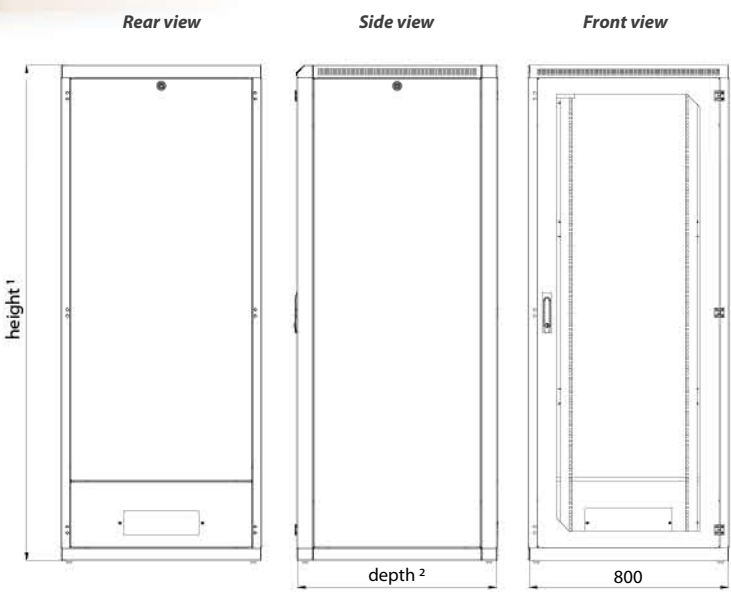
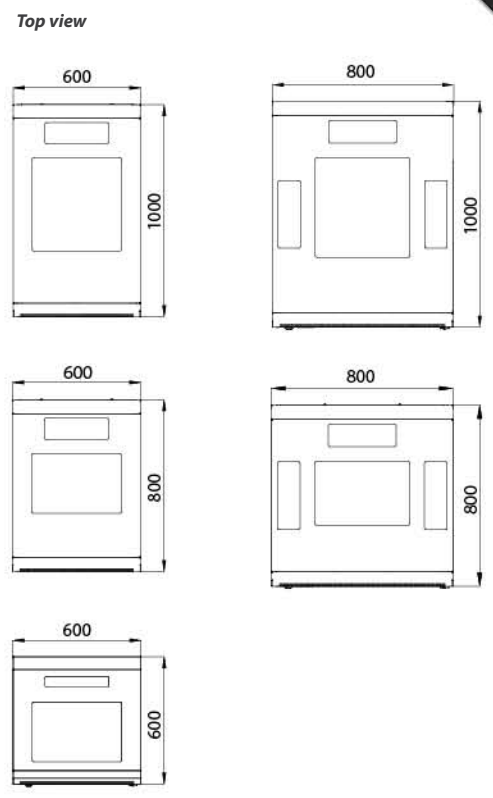
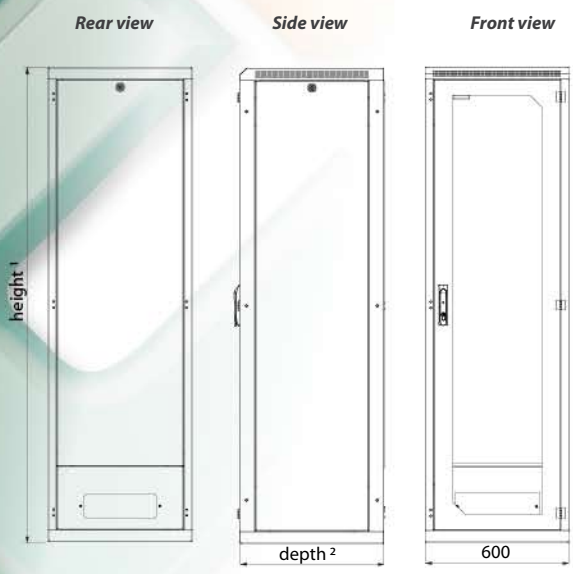
STANDARD EQUIPMENT

- 1 Front frame
- 2 Rear frame
- 3 Top cover
- 4 Bottom cover
- 5 Holders of vertical extrusions
- 6 2 pairs of 19" vertical extrusions
- 7 Front glass door with swivel handle lock
- 8 Divided rear panel with cable entry and lock
- 9 1 pair of side panels with lock
- 10 Adjustable feet
- 11 Blank panels for top and bottom openings
- GND/earthing kit
- 28 mounting kits

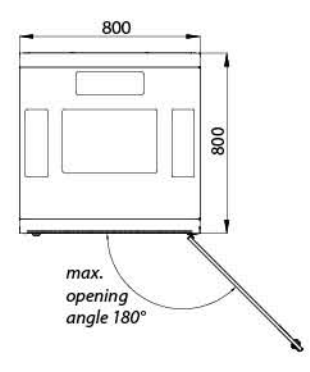
OPTIONAL EQUIPMENT

- 12 Door with perforation
- 13 Sheet steel door
- 14 Side panels with perforation
- 15 Plinth
- 16 Plinth with filter
- 17 Castors
- 18 Perforated gland plate
- 19 Ventilation unit
- 20 Connecting kit with filter for ventilation unit
- 21 Vented door
- 22 Glass door with side perforation
- 23 Vertically divided sheet steel door *
- 24 Vertically divided perforated sheet steel door *
- 25 Vertically divided vented door *
- 26 Vertically divided glass door with perforation *
- 27 Vertically divided glass door *
- 28 Rear panel (single piece)
- 29 Perforated rear panel (single piece)

* not available for 600mm wide racks, requires multipoint lock



Example of opened door angle



¹ for available heights please see page 5, table 1
² for available depths please see page 6, table 2
³ when rear doors applied (rear panel as standard) the max. angle is also 180°

Ventilation unit openings
 800mm deep racks - 420x280mm
 1000mm deep racks - 420x440mm

Cable entries
 600mm deep racks - 300x50mm
 800, 1000mm deep racks - 300x100mm

Note: All dimensions in mm



ORDERING AND SHIPPING INFORMATION: Configure the rack, which meets your requirements. The below displayed ordering matrix will help you in creating the part number. As soon as you have the part number, please contact your distributor of CONTEG products. Please note, that all **RMF RACKS ARE DELIVERED UNASSEMBLED** in carton boxes!

FOLLOW THE STEPS TO SET UP DESIRED RMF RACKS PRODUCT CODE!

QUICK WAY TO STANDARD CONFIGURATION OF RMF RACKS!

You should choose this quick way if you are able to cope with standard configuration of RMF rack. More information regarding standard configuration can be found in the appropriate table. To order, you only need to tell us the code, i.e. RMF-21-60/60. Please note, that also in this case the rack is delivered unassembled!

Types:

- RMF - 21, 33, 42, 45 - 60/60
- RMF - 21, 33, 42, 45 - 60/80
- RMF - 42, 45 - 60/100
- RMF - 21, 33, 42, 45 - 80/80
- RMF - 42, 45 - 80/100

xx - rack width, yy - rack depth, zz - rack height

*One pack is needed for racks 21U and 33U. Two packs are needed for racks 42U and 45U.

Code	Dimensions including packing in mm				
	Box 1 RMF-FF-zz/xx	Box 2 RMF-RF-zz/xx	Box 3 RMF-SP-zz/yy	Box 4 RMF-TB-zz/yy	Box 5 RMF-HVE-xx/ yy*
RMF-21-60/60	630x1100x130	630x1100x130	520x990x85	650x535x160	70x35x565
RMF-33-60/60	630x1630x130	630x1630x130	520x1520x85	650x535x160	70x35x565
RMF-42-60/60	630x2030x130	630x2030x130	520x1920x85	650x535x160	70x35x565
RMF-45-60/60	630x2166x130	630x2166x130	520x2055x85	650x535x160	70x35x565
RMF-21-60/80	630x1100x130	630x1100x130	720x990x85	650x735x160	70x35x765
RMF-33-60/80	630x1630x130	630x1630x130	720x1520x85	650x735x160	70x35x765
RMF-42-60/80	630x2030x130	630x2030x130	720x1920x85	650x735x160	70x35x765
RMF-45-60/80	630x2166x130	630x2166x130	720x2055x85	650x735x160	70x35x765
RMF-42-60/100	630x2030x130	630x2030x130	920x1920x85	650x935x160	70x35x965
RMF-45-60/100	630x2166x130	630x2166x130	920x2055x85	650x935x160	70x35x965
RMF-21-80/80	830x1100x130	830x1100x130	720x990x85	850x735x160	145x105x810
RMF-33-80/80	830x1630x130	830x1630x130	720x1520x85	850x735x160	145x105x810
RMF-42-80/80	830x2030x130	830x2030x130	720x1920x85	850x735x160	145x105x810
RMF-45-80/80	830x2166x130	830x2166x130	720x2055x85	850x735x160	145x105x810
RMF-42-80/100	830x2030x130	830x2030x130	920x1920x85	850x935x160	145x105x1010
RMF-45-80/100	830x2166x130	830x2166x130	920x2055x85	850x935x160	145x105x1010

Standard configuration: front frame, rear frame, top cover, bottom cover, holders of vertical extrusions, 2 pairs of 19" vertical extrusions, front glass door with standard swivel handle universal key, 1 pair of side panels with lock, adjustable feet, divided rear panel with cable entry, blank panel for top and bottom openings

Code	H in Units	Dimensions in mm				Useful depth	Gross weight in kg
		H*	W	D			
RMF-21-60/60	21	1055	600	600	590	65	
RMF-33-60/60	33	1588	600	600	590	87	
RMF-42-60/60	42	1988	600	600	590	106	
RMF-45-60/60	45	2121	600	600	590	111	
RMF-21-60/80	21	1055	600	800	790	74	
RMF-33-60/80	33	1588	600	800	790	97	
RMF-42-60/80	42	1988	600	800	790	118	
RMF-45-60/80	45	2121	600	800	790	123	
RMF-42-60/100	42	1988	600	1000	990	118	
RMF-45-60/100	45	2121	600	1000	990	127	
RMF-21-80/80	21	1055	800	800	790	91	
RMF-33-80/80	33	1588	800	800	790	118	
RMF-42-80/80	42	1988	800	800	790	140	
RMF-45-80/80	45	2121	800	800	790	145	
RMF-42-80/100	42	1988	800	1000	990	157	
RMF-45-80/100	45	2121	800	1000	990	165	

* Height in mm without feet; for feet add 16-45mm

STEP BY STEP TO SET UP THE RMF RACK'S PRODUCT CODE!

Step by step configuration enables you to choose from various options and configure the rack to meet your exact requirements. It is recommended, when standard configuration does not correspond with your requirements, steps will lead you through.

RMF - DELIVERED UNASSEMBLED ONLY	
Code of box	Box contains
RMF-FF-zz/xx	Front frame and panel for RMF-zz-xx/yy, 2 pairs of 19" vertical extrusions, mounting kit, feet
RMF-RF-zz/xx	Rear frame and panel for RMF-zz-xx/yy
RMF-SP-zz/yy	2 pieces of side panels for RMF-zz-xx/yy
RMF-TB-xx/yy	Top and bottom covers of RMF-zz-xx/yy
RMF-HVE-xx/yy *	Holders of vertical extrusions for yy racks; 1 box contains 2 pairs of holders

xx - rack width, yy - rack depth, zz - rack height

* One pack is needed for racks 21U and 33U. Two packs are needed for racks 42U and 45U.

R

M

F

-

FF

-

1.

/

2.

-

3.

4.

-

5.

STEP 1: FRONT FRAME CONFIGURATION

HEIGHT			WIDTH	
Code	Height in U	External height in mm	Code	Width in mm
21	21	1055	60	600
33	33	1588	80	800
42	42	1988		
45	45	2121		

COLOR	
Code	Note
B	RAL 7035 (light grey)
H	RAL 9005 (black)
E	RAL 7035/7040

FRONT DOOR	
Code	Options
0	Without door ¹
G	Glass door
S	Sheet steel door
P	Perforated sheet steel door ²
T	Glass door with side perforation ³
W	Vented door (perforation rate 83%) ²
A	Vertically divided glass door ⁴ *
B	Vertically divided glass door with side perforation ⁶ *
C	Vertically divided sheet steel door ⁴ *
D	Vertically divided perforated sheet steel door ⁵ *
F	Vertically divided vented door (perf. rate 83%) ⁵ *
	Other

- ¹ no IP protection
- ² IP20 max.
- ³ IP30 max.
- ⁴ multipoint lock only
- ⁵ multipoint lock only, IP20 max.
- ⁶ multipoint lock only, IP30 max. racks 800mm wide only

FRONT DOOR LOCK	
Code	Options
A	Standard swivel handle, universal key
B	Standard swivel handle, universal key, multipoint
C	Standard swivel handle, keyed different
D	Standard swivel handle, keyed different, multipoint
G	Swivel handle with combination lock and universal key
H	Swivel handle with combination lock and universal key, multipoint
I	Swivel handle with profile half cylinder, universal key
J	Swivel handle with profile half cylinder, universal key, multipoint
K	Swivel handle with profile half cylinder, keyed different
L	Swivel handle with profile half cylinder, keyed different, multipoint

An example of the correct product code

STEP 1: RMF-FF-42/80-GA-B

RMF series 19" free standing racks



STEP 2: REAR FRAME CONFIGURATION

- R
- M
- F
-
- RF
-
- 1.
- /
- 2.
-
- 3.
- 4.
-
- 5.

HEIGHT

Code	Height in U	External height in mm
21	21	1055
33	33	1588
42	42	1988
45	45	2121

WIDTH

Code	Width in mm
60	600
80	800

COLOR

Code	Note
B	RAL 7035 (light grey)
H	RAL 9005 (black)
E	RAL 7035/7040

REAR PANEL / DOOR OPTIONS

Code	Options
0	Without door ¹
G	Glass door
S	Sheet steel door
P	Perforated sheet steel door ²
T	Glass door with side perforation ³
W	Vented door (perforation rate 83%) ²
A	Vertically divided glass door ^{4 *}
B	Vertically divided glass door with side perforation ^{6 *}
C	Vertically divided sheet steel door ^{4 *}
D	Vertically divided perforated sheet steel door ^{5 *}
F	Vertically divided vented door (perf. rate 83%) ^{5 *}
Y	Rear panel, single piece (no cable entry)
R	Rear panel, divided, with cable entry
Z	Perforated rear panel, single (no cable entry)

¹ no IP protection
² IP20 max.
³ IP30 max.
⁴ multipoint lock only
⁵ multipoint lock only, IP20 max.
⁶ multipoint lock only, IP30 max.
⁷ Lock code U or X only
⁸ Lock code U or X only, IP20 max.
^{*} racks 800mm wide only

REAR PANEL / DOOR LOCK

Code	Options
A	Standard swivel handle, universal key
B	Standard swivel handle, universal key, multipoint
C	Standard swivel handle, keyed different
D	Standard swivel handle, keyed different, multipoint
G	Swivel handle with combination lock and universal key
H	Swivel handle with combination lock and universal key, multipoint
I	Swivel handle with profile half cylinder, universal key
J	Swivel handle with profile half cylinder, universal key, multipoint
K	Swivel handle with profile half cylinder, keyed different
L	Swivel handle with profile half cylinder, keyed different, multipoint
U	Lock for rear panel, universal key
X	Lock for rear panel, keyed different

An example of the correct product code

STEP 2: RMF-RF-42/80-RU-B

STEP 3: SIDE PANELS CONFIGURATION

- R
- M
- F
-
- SP
-
- 1.
- /
- 2.
-
- 3.
- 4.

HEIGHT

Code	Height in U	External height in mm
21	21	1055
33	33	1588
42	42	1988
45	45	2121

DEPTH

Code	Depth in mm	Useful depth in mm
60	600	590
80	800	790
100	1000	990

SIDE PANEL WITH LOCKS (BOTH SIDES)

Code	Options
C	2 side panels, sheet steel, keyed different
E	2 side panels, sheet steel with perforation, universal key
G	2 side panels, sheet steel with perforation, keyed different

COLOR

Code	Note
B	RAL 7035 (light grey)
H	RAL 9005 (black)

An example of the correct product code

STEP 3: RMF-SP-42/100-C-B

STEP 4: COVERS CONFIGURATION

- R
- M
- F
-
- TB
-
- 1.
- /
- 2.
-
- 3.

WIDTH

Code	Width in mm
60	600
80	800

DEPTH

Code	Depth in mm	Useful depth in mm
60	600	590
80	800	790
100	1000	990

COLOR

Code	Explanation
B	RAL 7035 (light grey)
H	RAL 9005 (black)
D	RAL 7040

IP 54 PROTECTION
Ordering codes of IP54 ready components upon request

An example of the correct product code

STEP 4: RMF-TB-80/100-B

All types of vented doors require multi-point lock. RMF racks compatible with side, wall, and rear mount cooling (always use RMF-BRACE). Please use RHF/RDF/RSF racks for top mount cooling.